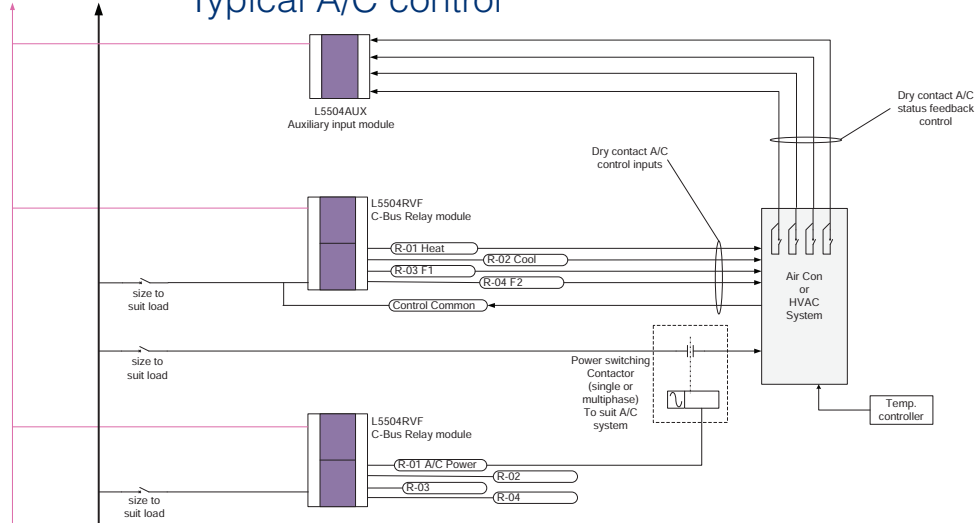


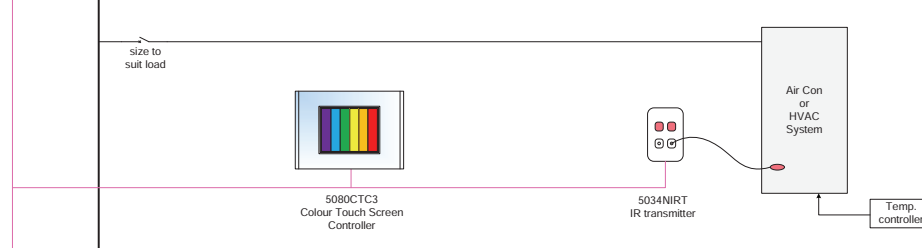
Clipsal C-Bus Typical Schematics

Typical A/C control

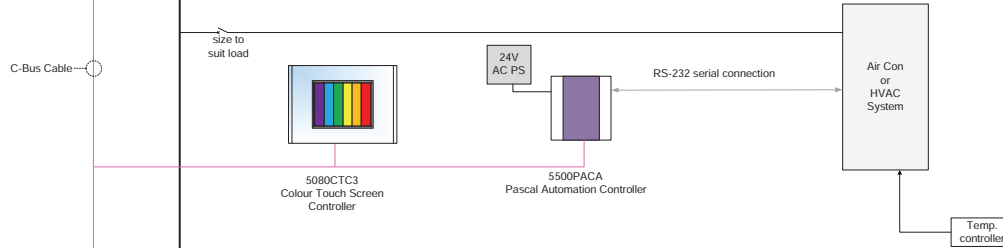
Low Level control relay



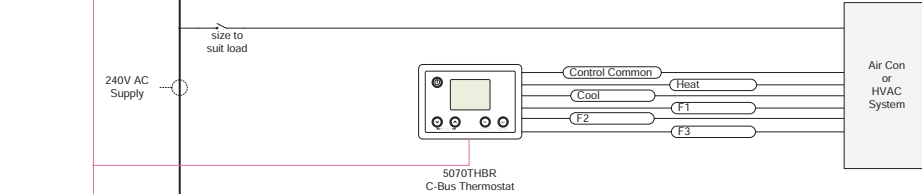
High Level uni-directional IR control



High Level uni-directional RS-232 serial control



Low Level C-Bus Thermostat



Interface method and operation is dependant on the type of HVAC or A/C system supplied to the installation. In some cases IR codes or RS-232 control command strings are difficult to obtain or interface with. HVAC or A/C system knowledge is necessary.