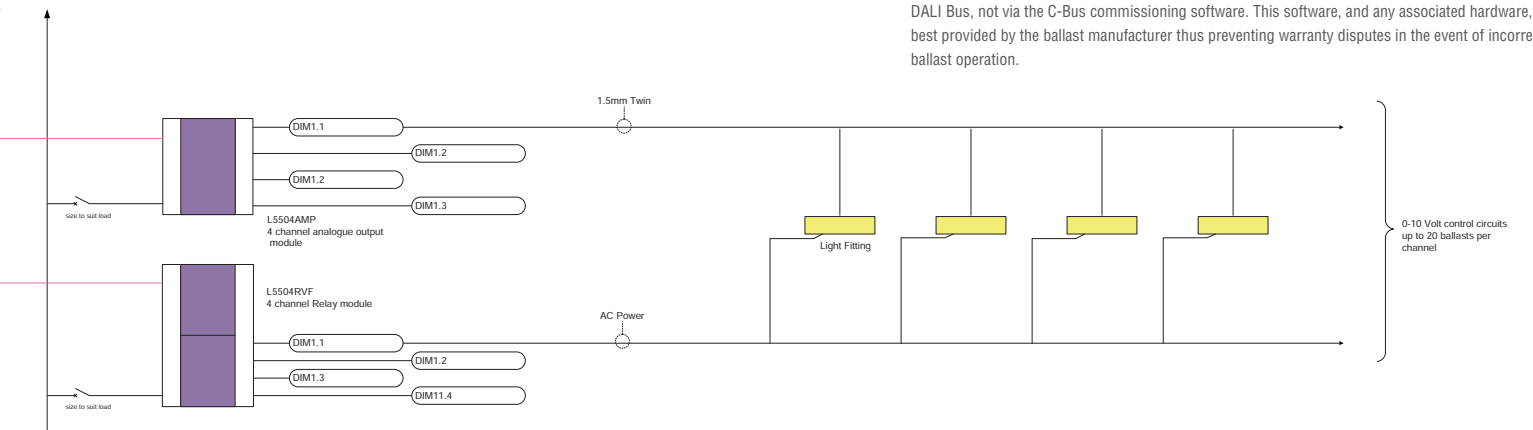


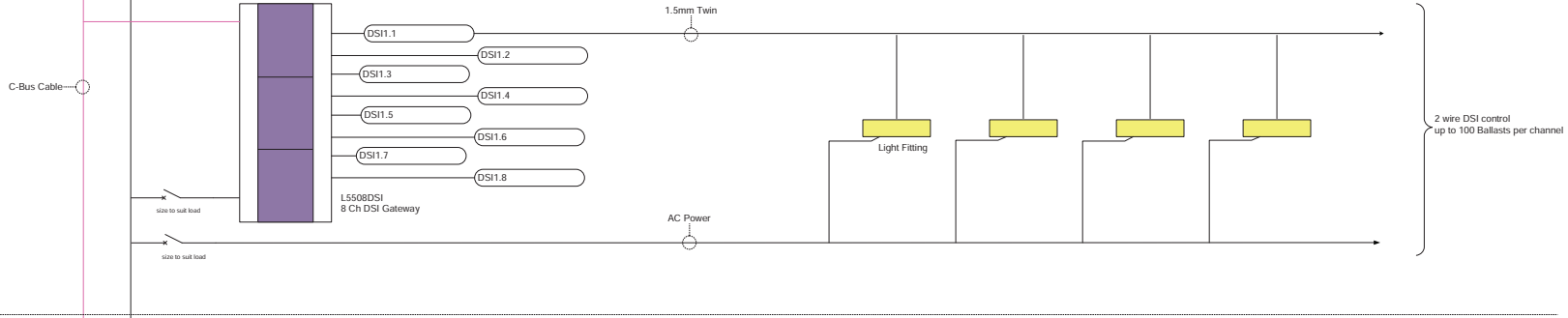
Typical Fluorescent Dimming

The DALI Ballasts are to be addressed with DALI commissioning software connected directly to the DALI Bus, not via the C-Bus commissioning software. This software, and any associated hardware, is best provided by the ballast manufacturer thus preventing warranty disputes in the event of incorrect ballast operation.

Typical C-Bus / 0-10V Dimming



Typical C-Bus / DSI Dimming



Typical C-Bus / DALI Dimming

